

Mechanical temperature switches

L2H

Local mount type

Features

- ▶ Local mount type dual switch with explosion proof housing
- ▶ Terminal clip integrated, set point adjustment in °C and °F under tamper protected cover
- ▶ Protection class: IP65, NEMA 4 / 13
- ▶ For use as two-position controller optionally with one micro switch with adjustable hysteresis for temperature control
- ▶ The second contact can also be used for max. or min. monitoring for for sensor monitoring
- ▶ Optional for high circuit S2:
 - Disconnection with manual reset, RD-micro switch
 - Adjustable hysteresis (deadband), S-micro switch
 - Option thermowell: W = Brass
WS = Stainless steel SS316Ti, 1.4571
- ▶ Approvals: Ex ia, UL, CSA, SIL2 (IEC 61508)

Adjustment ranges

-45 °C...+24 °C to +66 °C...+232 °C

Applications

Temperature monitoring and control in industry, shipbuilding, railcars



Technical Data

Housing material:	Die-cast aluminium, anodized
Process connection:	Standard 1/2" NPT male, option W/WS 3/4" NPT male
Temperature sensor material:	Standard: brass / copper, version S: stainless steel (SS304 / 1.4301). If not equipped with thermowell the sensor may only be used up to 21 bar max. For W and WS pressure values refer to table in chap. Accessories
Operation pressure: without thermowell: with thermowell:	max. 21 bar (max 300 psi) see page "Accessories" table 1.4
Operation temperature: Housing: Sensor:	-40°C...+75°C (-40°F...167°F) except temperature code 454: -18°C...+75°C (0°F...167°F) see table "Adjustment range" (Sensor temperature limits)
Electrical values:	All models are equipped with SPDT contacts
Micro switch type:	H, M, GH, GM, S, RD

Electrical connection:	3/4" NPT female, internal screw terminal, cable gland in PA, for cable size 6...12 mm is included
Protection class:	IP65, NEMA 4 / 13
Set point adjustment:	Turn adjustment knob clockwise to increase the actuation point
Standards:	The equipment is in conformity with the following harmonised European standards: EN 60014 1977 + A1 to A4 and EN 500120 1977 + A1
Intrinsic safety:	The switches are also suitable for intrinsically safe applications. In this case we recommend gold contacts. In this case we recommend gold contacts. Add "Exi" in case of ordering. Maximum rating according to ATEX: Umax = 28 V Imax = 50 mA
Approvals:	Ex ia, UL, CSA
Weight:	1.5 kg approx.

Adjustment ranges

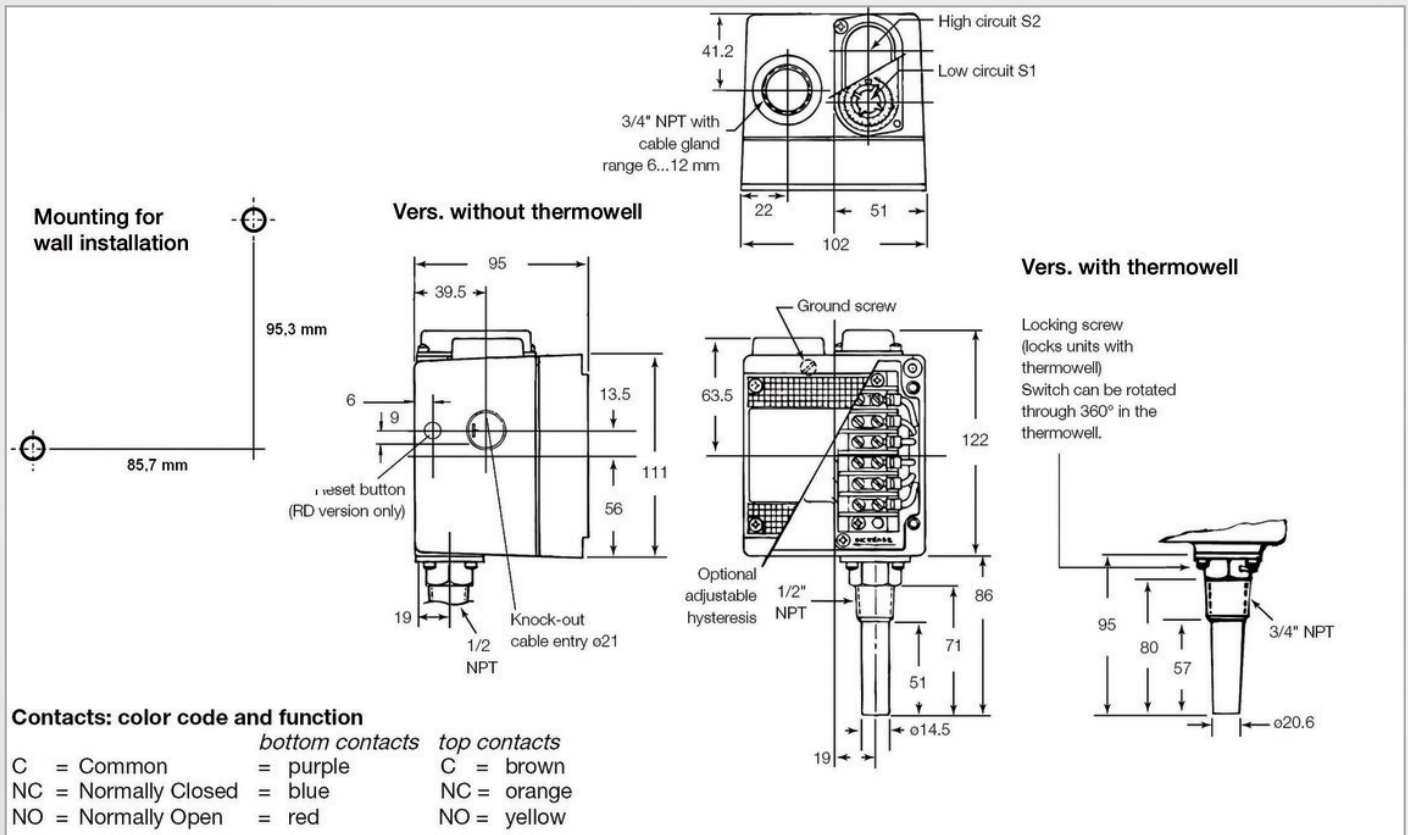
Code adjustment range	Sensor temperature limits (°C)	Adjustment range (°C)	Hysteresis (°C)* for micro switch			
			H, GH	M, GM	S	RD
						2.8...manual
201	-73 ... +121	-45... +24	0.5... 1.6	1.6... 3.3	3.3... 11.2	
202	-73 ... +121	-9... +60	0.5... 1.6	1.6... 3.3	3.3... 11.2	
203	-73 ... +121	+24... +93	0.5... 1.6	1.6... 3.3	3.3... 11.2	
204	-73 ... +121	-45... +93	0.5... 1.6	1.6... 3.3	3.3... 11.2	
351	-73 ... +205	+38... +107	0.5... 1.6	1.6... 3.3	3.3... 11.2	
354	-73 ... +205	+38... +177	0.5... 1.6	1.6... 3.3	3.3... 11.2	
454	-18 ... +260	+66... +232	1.6... 3.3	3.3... 5.0	5.5... 16.8	

* Dependent on medium

Mechanical temperature switches

L2H

Dimensions (mm / inch)



Electrical Ratings

Micro switch	Special features	Volt AC 50/60 Hz	Ind. load A	Res. load A	Volt DC	Ind. load A	Res. load A	Comments
H	Micro switch with silver contacts	125	10	10	6 to 28	0.50	0.5	Small hysteresis; High AC / low DC loads
		250	10	10				
		480	3	3				
M	Micro switch with silver contacts	125	10	10	12 to 250	5.00 to 0.25	15.0 to 0.4	Medium hysteresis; High AC and DC loads
		250	10	10				
		480	3	3				
GH	Micro switch with gold contacts for low voltage and low current (e. g. "Exi")	125	1	1	24	1.00	1.00	Small hysteresis
GM		30	0.1	0.1				
S	Micro switch with silver contacts	480	15	15	125	0.05	0.4	Adjustable hysteresis
RD *	Micro switch with silver contacts	480	10	10	125	0.4	0.75	Manual reset (S2 only)

* Please note: enter "RD" in "Option" and the 2nd micro switch (H, M, GH or GM) in "Micro switch" when placing your order.
Hermetically sealed micro switch (HL2H) on request

Sensor material / Options

Sensor material		Options 1		Options 2	
---	Brass/copper	W	Thermowell of brass	RD	Manual reset (S2 only)
S	Stainless steel	WS	Thermowell of SS (1.4571, SS316 Ti)	EXI	for intrinsically safe application, Ex ia

Order Code

Example for order number

Type	Micro switch	Code Adjustment range	Sensor material *	Option 1	Option 2
L2H	GH	202	S	WS	EXI

* : Brass/copper, option: S = Stainless steel

Your order number

L2H	-		-		-		-	
-----	---	--	---	--	---	--	---	--