

Electr. Dual Pressure Switch

BPS3000

Features

- ▶ Measuring ranges: 0 ... -1 bar to 0 ... 600 bar gauge
- ▶ Max. 2 switch points
- ▶ Analog output 4 - 20 mA or 0 - 10 V
- ▶ Rotatable 320° display & electrical connection
- ▶ Menu navigation refers to VDMA standard
- ▶ IO-Link communication interface

Applications

- ▶ Pressure control for:
 - Hydraulics & Pneumatics
 - Lubrication system
 - Cooling



Technical Data

Sensor element:	Ceramic sensor optional: piezoresistive sensor
Materials:	
Wetted parts:	Stainless steel, mat. no. 1.4301, brass MS58*
Electronics housing:	Stainless steel, mat. no. V2A, PA / PC
Seals:	FKM, EPDM
Operating elements:	3 easy-response pushbuttons
System of protection:	IP65, IP67
Protection class:	III
Electrical connection:	Plug M12 x 1, 4-pin / 5-pin (depending on output code)
Process connection:	see order code
Dimensions:	110 x 41 mm (without plug connector)
Weight:	approx. 200 g
A/D converter:	
Resolution:	12 bit (4096 steps per measuring span)
Scanning rate:	1000 / s
Linearity error:	< ± 0.5 % v. f. s. at +25 °C
Temperature influence:	TC zero < ±0.2 % FSO / 10K TC span < ±0.3 % FSO / 10K
Compensation range:	-10 °C... +70 °C
Repeatability:	±0.1 % FSO
Temperature range:	
Medium:	-25 °C... +100 °C
Electronics:	-10 °C... +70 °C ¹⁾
Storage:	-30 °C... +80 °C
Power supply:	15... 32 V DC, reversed polarity protected (SELV, PELV)
Digital display:	4-digit 14-segment LED display, red, digit height 9 mm
Error display:	LED red and alphanumeric display
Power consumption:	approx. 50 mA (without load)
Analog output:	
Current output:	4...20 mA
Load:	max. RI = (Ub-12V) / 20 mA RI = 600 Ohm at Ub = 24 V DC
Scanning rate:	2 ms
Voltage output:	0...10 V DC
Rating:	max. 10 mA
Adjustment range:	25 %... 100 % f. s.

Transistor switching outputs / IO-Link:		
Switching function:	Normally open/normally closed, standard / window mode and diagnosis function adjustable	
Adjustment range for switching point and hysteresis:	0 %... 125 % f. s.	
Switching frequency:	max. 100 Hz	
Load:	max. 500 mA, short-circuit proof, IO-Link: max. 250 mA	
Delay:	0.0 s ... 50 s adjustable	
Status display(s):	LED(s) red	
Interfaces		
Communication interface:	IO-Link	
Transmission type:	COM2 (38,4 kBaud)	
IO-Link revision:	1.1	
SDCI standard:	IEC 61131-9	
Profiles:	Smart Sensor	
SIO mode:	yes	
Device type:	Class A	
Process data variable:	1	
Binary data channel:	2	
Min. process cycle time [ms]	2.5	
Device ID:	0x011...	
EMV /ESD	EN 61000-4-2 ESD	4 kV CD / 8 kV AD
	EN 61000-4-3 HF radiated	10 V/m
	EN 61000-4-4 Burst	2 kV
	EN 61000-4-5-Surge	1/2 kV
	EN 61000-4-6 HF conducted	10 V
Shock resistance	DIN EN 60028-2-27	50 g (11 ms)
Vibrations resistance	DIN EN 60028-2-26	20 g (10...2000 Hz)
Approvals:	BV-50018/A1 ^{2),3)} , cULus 1) - E42816	

* In the pressure inlet a damping screw made of brass is mounted. This screw can be removed if required, e.g. in case of soiled medium or material incompatibility, using a slotted screw driver (max. width 3 mm). The pressure switch is less resistant to pressure peaks when the damping screw has been removed.

¹⁾ Conditions of use with cULus: 60 °C max. ambient, power supply max. 28 V DC

²⁾ BV approval only with output code 1-5

³⁾ Direct electromagnetic fields can interfere the LED display, at some frequencies. This does not lead to an impairment of the performance.

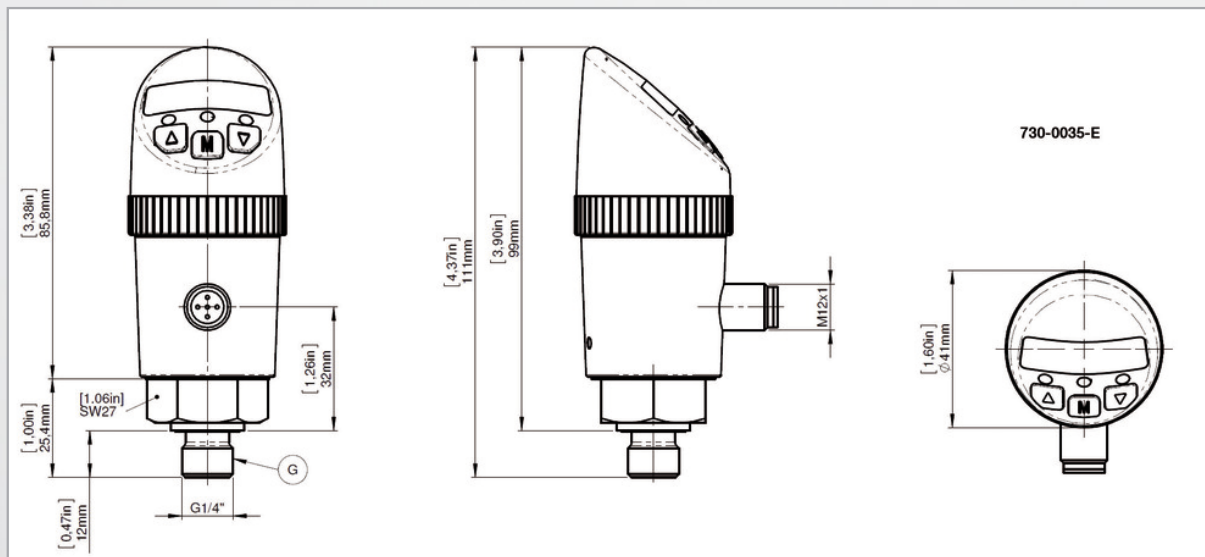
Electr. Dual Pressure Switch

BPS3000

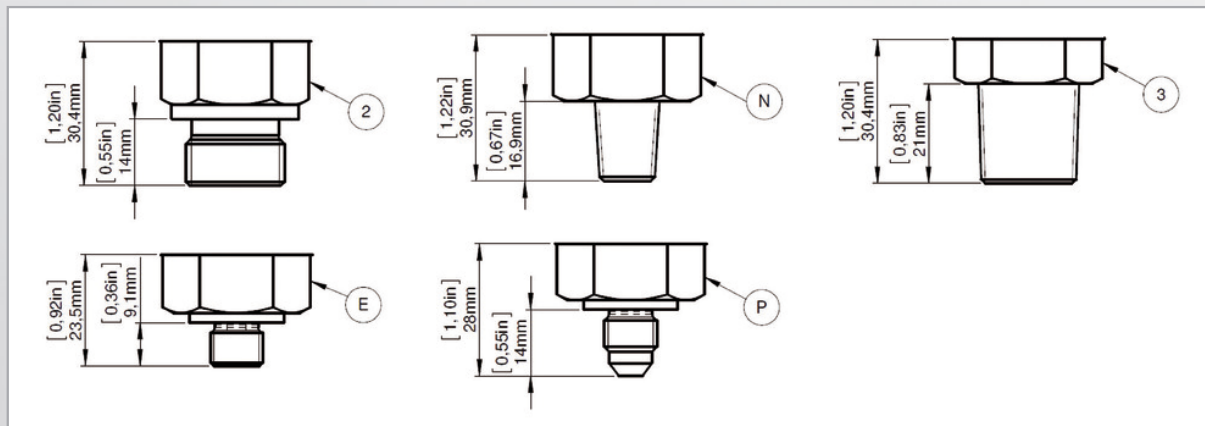
Accessories

Order Number	Description
907-0357	Plug connector M12 x 1, 4-pin, with screw terminals, angled (IP65)
907-0185	Plug connector M12 x 1, 5-pin, with screw terminals, angled (IP65)
908-0361	Plug connector M12 x 1, 5-pin, with sharped cable (IP67)

Dimensions (mm / inch)



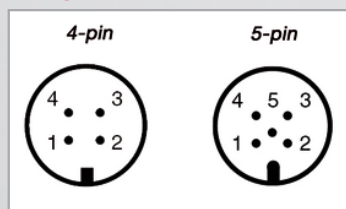
Process connection



Legend

G	G1/4" Ceramic
N	1/4" NPT Ceramic
2	G1/2" flush diaphragm
3	1/2" NPT flush diaphragm
E	7/16-20 UNF (SAE)
P	7/16-20 UNF (JIC)

Plug



Electrical Connection

Pin	Signal Output Code 1,7	Signal Output Code 2, 3	Signal Output Code 4, 5, 8
1	+Ub	+Ub	+Ub
2	SP2	Signal	Signal
3	0V	0V	0V
4	SP1 / IO-Link*	SP1	SP1 / IO-Link*
5	-	-	SP2

* only code 7 and 8

Order Code

BPS3000	
BPS3	Base Model
Output	
1	2 switch points
2	4...20 mA - 1 switch point
3	0...10 V - 1 switch point
4	4...20 mA - 2 switch points
5	0...10 V - 2 switch points
7	IO-Link / 2 switch points (PNP, NPN, PP)
8	IO-Link / 2 switch points (PNP, NPN, PP) / Analog Output
Process Connection	
G	G1/4" ext. thread G1/2" flush diaphr. (requires piezoresistive sensor / code P* /10-600 bar only)
2	
N	1/4"NPT ext. thread 1/2"NPT flush diaphr. (requires piezoresistive sensor / code P* / 10-600 bar only)
3	
1	40x40 Cetop/Manifold - on request
E	7/16-20 UNF (SAE4) ext. thread
P	7/16-20 UNF (37° JIC) ext. thread
Sealing	
V	FKM
E	EPDM
Electrical Connection	
M	M12
Range	
- 1 . 0 B V	-1 ... 0 bar requires piezoresistive sensor / code P)*, IP65 only
0 0 0 1 B V	-1 ... 1 bar requires piezoresistive sensor / code P)*, IP65 only
0 0 0 5 B V	-1 ... 5 bar requires piezoresistive sensor / code P)*, IP65 only
0 0 1 0 B V	-1 ... 10 bar requires piezoresistive sensor / code P)*, IP65 only
0 0 0 1 B A	0 ... 1 bar absolute (requires piezoresistive sensor / code P)*
0 0 0 5 B A	0 ... 5 bar absolute (requires piezoresistive sensor / code P)*
0 0 1 0 B A	0 ... 10 bar absolute (requires piezoresistive sensor / code P)*
0 0 . 2 B	0 ... 0.2 bar (requires piezoresistive sensor / code P)*,IP65 only
0 0 . 5 B	0 ... 0.5 bar (requires piezoresistive sensor / code P)*,IP65 only
0 0 0 1 B	0 ... 1 bar (requires piezoresistive sensor / code P)*,IP65 only
0 0 0 2 B	0 ... 2 bar (requires piezoresistive sensor / code P)*, IP65 only
0 0 0 5 B	0 ... 5 bar (requires piezoresistive sensor / code P)*, IP65 only
0 0 1 0 B	0 ... 10 bar
0 0 5 0 B	0 ... 50 bar
0 1 0 0 B	0 ... 100 bar
0 2 0 0 B	0 ... 200 bar
0 4 0 0 B	0 ... 400 bar
0 6 0 0 B	0 ... 600 bar (requires piezoresistive sensor / code P)*
	Others on request
Sensor	
Blank	Standard ceramic sensor
P	*Piezoresistive sensor

Example:

BPS3 4 **G** **V** **M** 0 2 0 0 **B**

Special designs on request