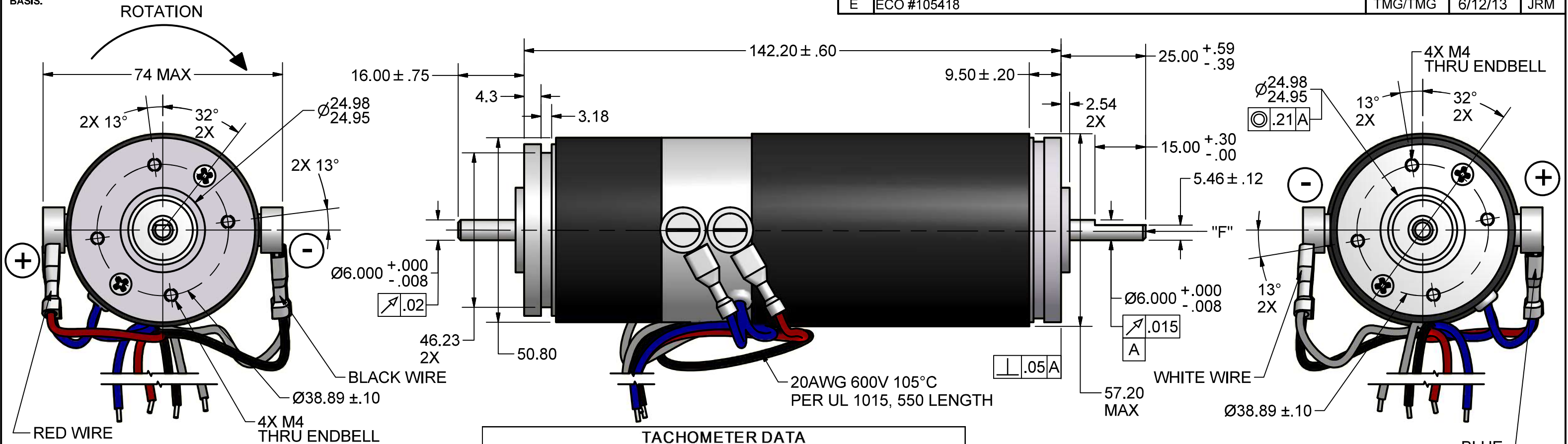


NOTICE: CONFIDENTIAL PROPRIETARY INFORMATION. THIS PRINT CONTAINS IDEAS, INFORMATION, AND INTELLECTUAL PROPERTY WHICH ARE THE EXCLUSIVE PROPERTY OF PITTMAN, DIVISION OF AMETEK TECHNICAL & INDUSTRIAL PRODUCTS. RECIPIENT MUST KEEP THE INFORMATION DISCLOSED HEREIN CONFIDENTIAL AND RECIPIENT IS EXPRESSLY PROHIBITED FROM COPYING OR PUBLICATION OF THIS PRINT EXCEPT TO OTHERS IN THEIR ORGANIZATION ON A NEED TO KNOW BASIS.

LTR	DESCRIPTION	DRFT/ENG	DATE	APP
D	ECO #102919	TMG/TMG	6/20/11	JRM
E	ECO #105418	TMG/TMG	6/12/13	JRM



MOTOR PARAMETERS @ 25°C		
OPERATING SPECIFICATIONS		
CONTINUOUS TORQUE	Nm	0.2
PEAK STALL TORQUE	Nm	1.05
CONTINUOUS CURRENT	A	3.9
MAXIMUM PULSE CURRENT	A	18.7
MAXIMUM TERMINAL VOLTAGE	V	60
MAXIMUM SPEED	RPM	6000
MECHANICAL DATA		
ROTOR MOMENT OF INERTIA	Kg m ²	3.88*10 ⁻⁵
MECHANICAL TIME CONSTANT	ms	10.2
MOTOR MASS	Kg	1.3
THERMAL IMPEDANCE WHEN MOUNTED ON A 254 X 254 X 6.35 HEATSINK	°C/W	5
MAXIMUM ARMATURE TEMP.	°C	155
WINDING SPECIFICATIONS		
TORQUE CONSTANT Kt	Nm/A	.056 ± 10%
VOLTAGE CONSTANT Ke (BACK EMF)	V/KRPM	5.85 ± 5%
ARMATURE RESISTANCE Ra	OHMS	
TERMINAL RESISTANCE Rt @ 2 A	OHMS	1.7 ± 20%
ARMATURE INDUCTANCE L	mH	1.4
ELECTRICAL TIME CONSTANT τe	ms	2.95
ENDPLAY @ 5 Kg IN DIRECTION "F"	mm	.05-.25
IP RATING		IP 20

TACHOMETER DATA		
LINEARITY (MAXIMUM DEVIATION)	%	0.2
RIPPLE (MAXIMUM PEAK TO PEAK)	%	5
RIPPLE FREQUENCY	CYCLES	11
TEMPERATURE COEFFICIENT	% / °C	-0.05
OUTPUT VOLTAGE GRADIENT	V/KRPM	14 +/- 10%

- NOTES:
- HI-POT: 750VAC/1S, 3mA.
 - ROTATION IS CLOCKWISE VIEWED FROM MOTOR END WITH POSITIVE (+) VOLTAGE APPLIED TO RED LEAD.
 - RUNOUT & ⊥ MEASURED @ 12.5 mm FROM MOUNTING FACE.
 - MOTORS TO BE PACKAGED USING SUPPLIER STANDARD MATERIALS AND METHODS WHICH ARE APPROVED BY AMETEK. AMETEK COMPANY LOGOS TO APPEAR ON THE OUTSIDE OF EACH BOX IN ACCORDANCE WITH DRAWING 30-49-19.
 - PRIOR APPROVAL IS REQUIRED FROM AMETEK FOR ANY DESIGN CHANGES.
 - UNIT TO BE RoHS COMPLIANT.

AMETEK **PITTMAN**
 TECHNICAL & INDUSTRIAL PRODUCTS
 www.ametektip.com

WATTS OUT	SERIAL NO.	DATE	TYPE
80	00000X	MM/YY	A4180
PART NO.	CUSTOMER PART NO.		
M586 0585 0606 12TBV			

NOTICE: ALTERATIONS OR DISSASSEMBLY VOID ALL WARRANTIES

MADE IN CHINA

CONNECTION CHART	
COLOR	FUNCTION
RED	MOTOR +
BLACK	MOTOR -
BLUE	TACH +
WHITE	TACH -

UNLESS OTHERWISE SPECIFIED DIMENSIONS ARE IN (MM) TOLERANCES ARE: DECIMAL X ± .25 .XX ± .12	DRAFTER	DATE
	TMG	4/16/2009
	ENGINEER	DATE
	TMG	4/16/2009
	APPROVED	DATE
	JR MELA	4/22/2009
MATERIAL		
FINISH		
FILE	A4180-1.dwg	

AMETEK **PITTMAN**
 TECHNICAL & INDUSTRIAL PRODUCTS
 www.ametektip.com

Harleysville, PA U.S.A.
 www.pittmanet.com

TITLE

MB057TT185 (M586 0585 0606 12TBV)

SIZE	DWG NO	REV
B	A4180-1	E
SCALE .9:1		SHEET 1 OF 1